

REVISION HISTORY				
REV	DATE	DESCRIPTION	BY	CHKD
7	05/08/2019	ECN2019/0086	RD	PH

SHB-05LRT Basin model shown with optional BWN003 water nozzles fitted. (See note 1).



SHB-05LRT Basin model shown with optional WT3860 Non-concussive taps fitted. (See note 1).



NOTES:

1. Basin taps are ordered separately, contact Wallgate sales for tap model options & see table on sheet 2. Note that BWN003 type nozzles require additional controls for controlling water operation. The WT3860 model taps have Non-concussive integral valves.
2. Refer to sheet 2 for basin dimensions and fixing point positions & sheet 3 for options on wall fixing methods.
3. Basin waste fitting size is 1¼" BSP with overflow, (Included).

© 2018 Copyright THIS DRAWING IS THE PROPERTY OF WALLGATE LIMITED AND IS ISSUED ON THE STRICT UNDERSTANDING THAT THE INFORMATION CONTAINED WILL NOT BE REPRODUCED, COPIED OR USED WITHOUT PRIOR AGREEMENT OF WALLGATE LTD.



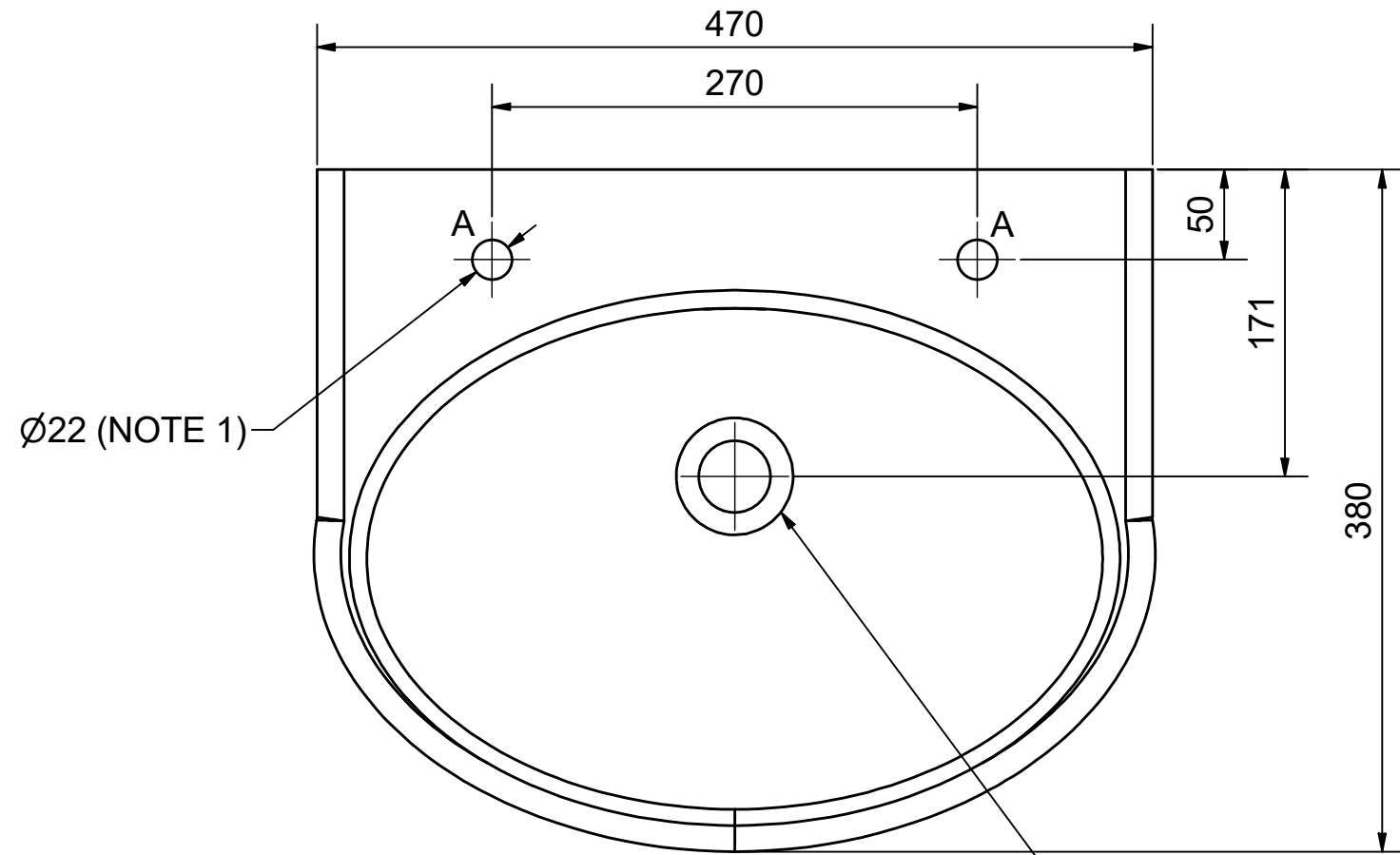
TITLE: WASH HAND BASIN.
Drg No: SHB-05
 Model/Client/Project: SHEET 1 OF 5

MATERIAL: Polyester solid surface.
FINISH: Silk - gloss polish

Limits: (unless stated)
 ± 0.25mm (sheetmetal)
 ± 0.10mm (machined)
 ± 2.00mm (pattern)
 ± 5.00mm (moulded)

All dimensions in mm,
 All angles 90° (unless stated)
Scale: NTS
A3 3rd

REVISION HISTORY				
REV	DATE	DESCRIPTION	BY	CHKD
7	05/08/2019	ECN2019/0086	RD	PH

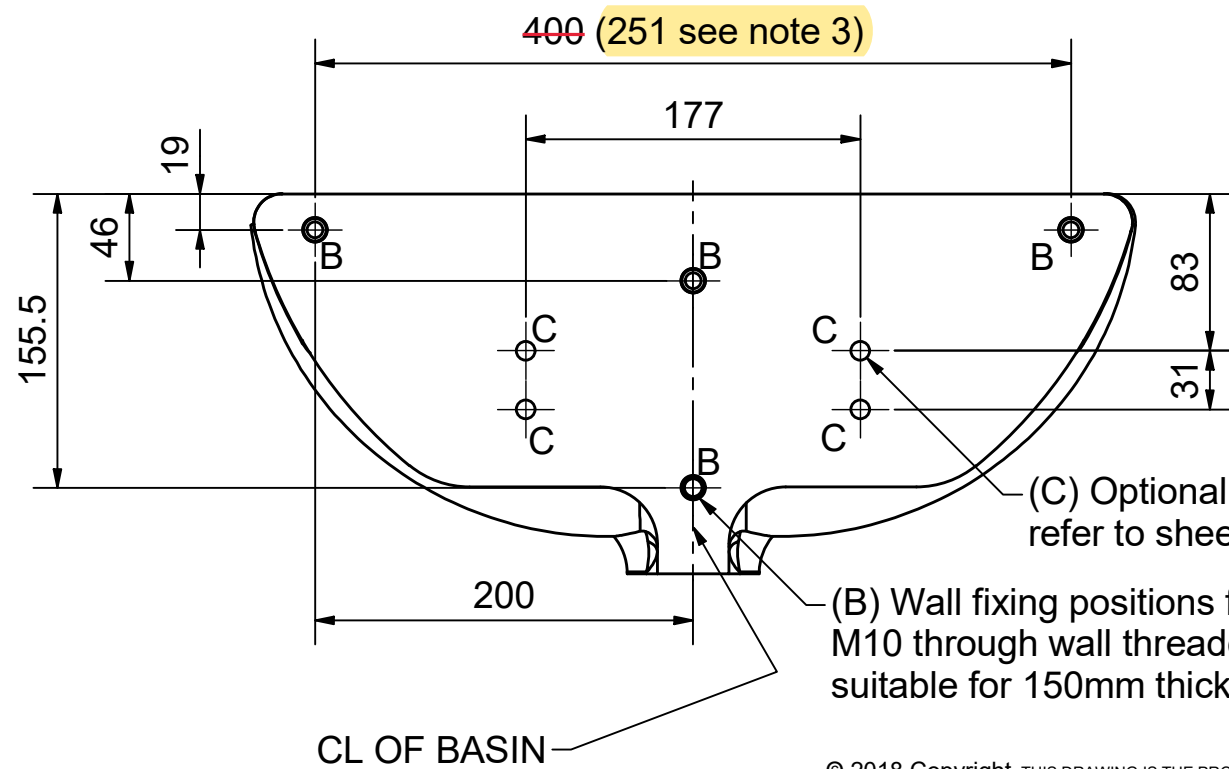


Notes:-

1. Tap holes can be provided to suit the type of tap or nozzle & the required tap positions as detailed on sheet 1 showing the basin model options. Note that the basin will not accept a centrally positioned tap hole.
2. The basin is provided with a waste fitting 1 1/4" BSP x 75mm (min) tail length with a flange diameter of 60mm. The waste fitting is slotted type for the overflow which can be omitted if required. Other basin wastes are available from Wallgate.
3. Older versions of this basin had a dimension of 251mm for the upper fixing point centres. To order a basin with the upper fixings on 251mm ctrs add suffix "251" to any of the part numbers, e.g. SHB-05-LT-251 etc

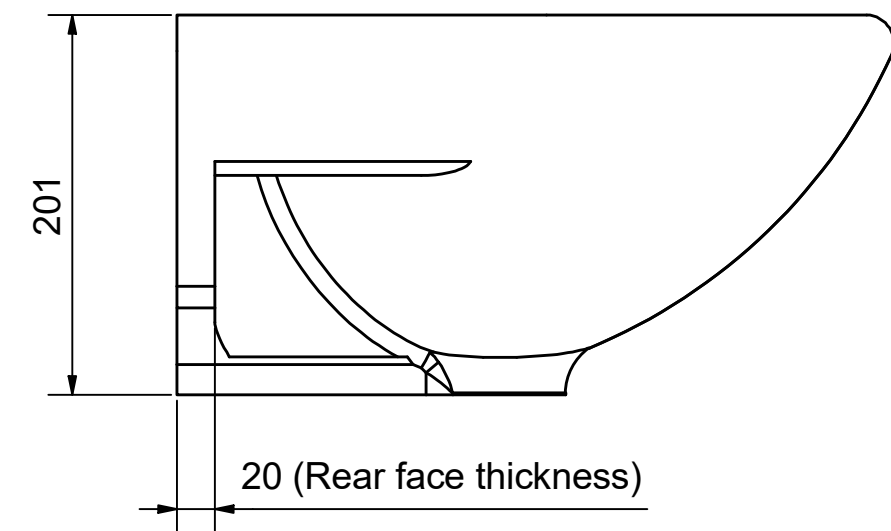
BASIN MODEL OPTIONS LIST			
TAP POSITIONS	PART NO.	PART NO. NO OVERFLOW	SEE NOTE 3
LH TAP HOLE	SHB-05-LT	SHB-05-LT-NOF	ADD SUFFIX "251"
RH TAP HOLE	SHB-05-RT	SHB-05-RT-NOF	ADD SUFFIX "251"
LH & RH TAP HOLE	SHB-05-LRT	SHB-05-LRT-NOF	ADD SUFFIX "251"
NO TAP HOLES	SHB-05-NT	SHB-05-NT-NOF	ADD SUFFIX "251"

Waste hole to suit a waste fitting size of 1 1/4" BSP with a tail length of 75mm (min) and 60mm dia flange. See note 3 for additional information.



(C) Optional front fix hole positions (4 off), refer to sheet 3 for additional details.

(B) Wall fixing positions for M10 through wall threaded stud bar, suitable for 150mm thickness wall, (4off).



© 2018 Copyright THIS DRAWING IS THE PROPERTY OF WALLGATE LIMITED AND IS ISSUED ON THE STRICT UNDERSTANDING THAT THE INFORMATION CONTAINED WILL NOT BE REPRODUCED, COPIED OR USED WITHOUT PRIOR AGREEMENT OF WALLGATE LTD.



TITLE: HAND BASIN HOLE POSITIONS
Drg No: INS-SHB-05
 Model/Client/Project: SHEET 2 OF 5

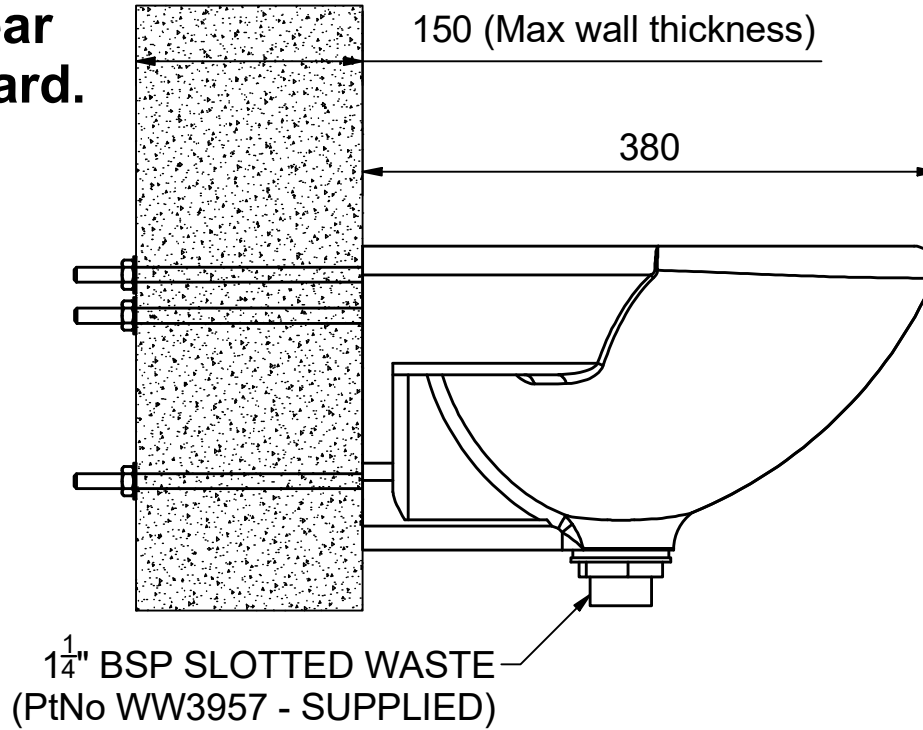
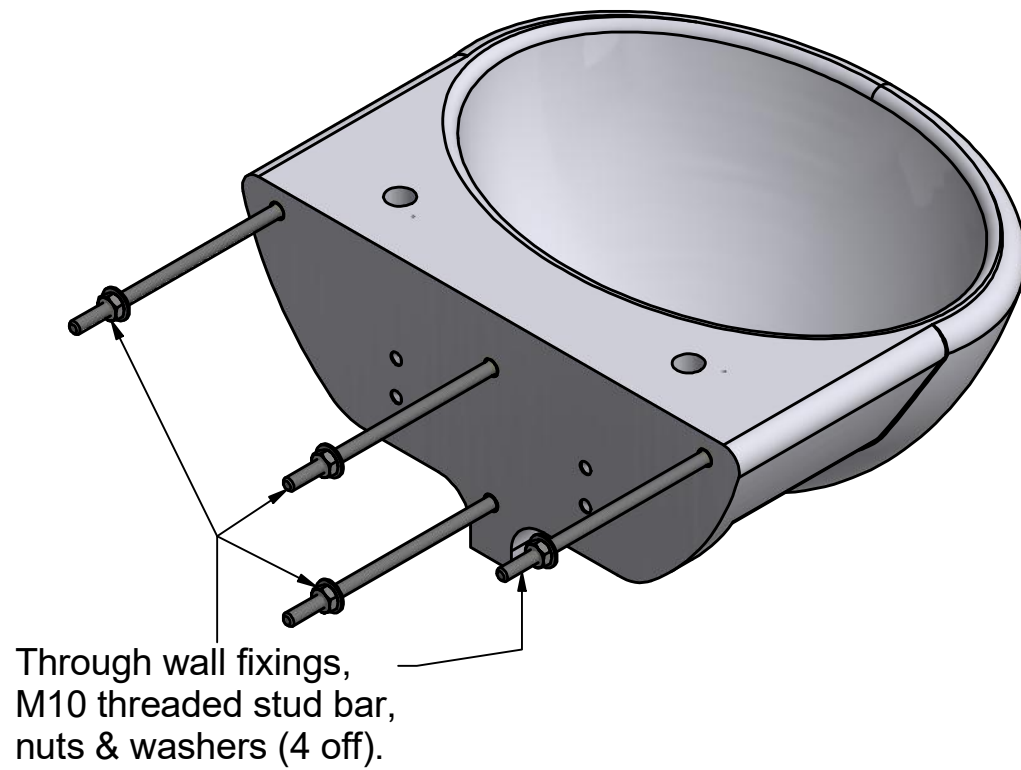
MATERIAL: Polyester solid surface.
FINISH: Silk - gloss finish

Limits: (unless stated)
 ± 0.25mm (sheetmetal)
 ± 0.10mm (machined)
 ± 2.00mm (pattern)
 ± 5.00mm (moulded)

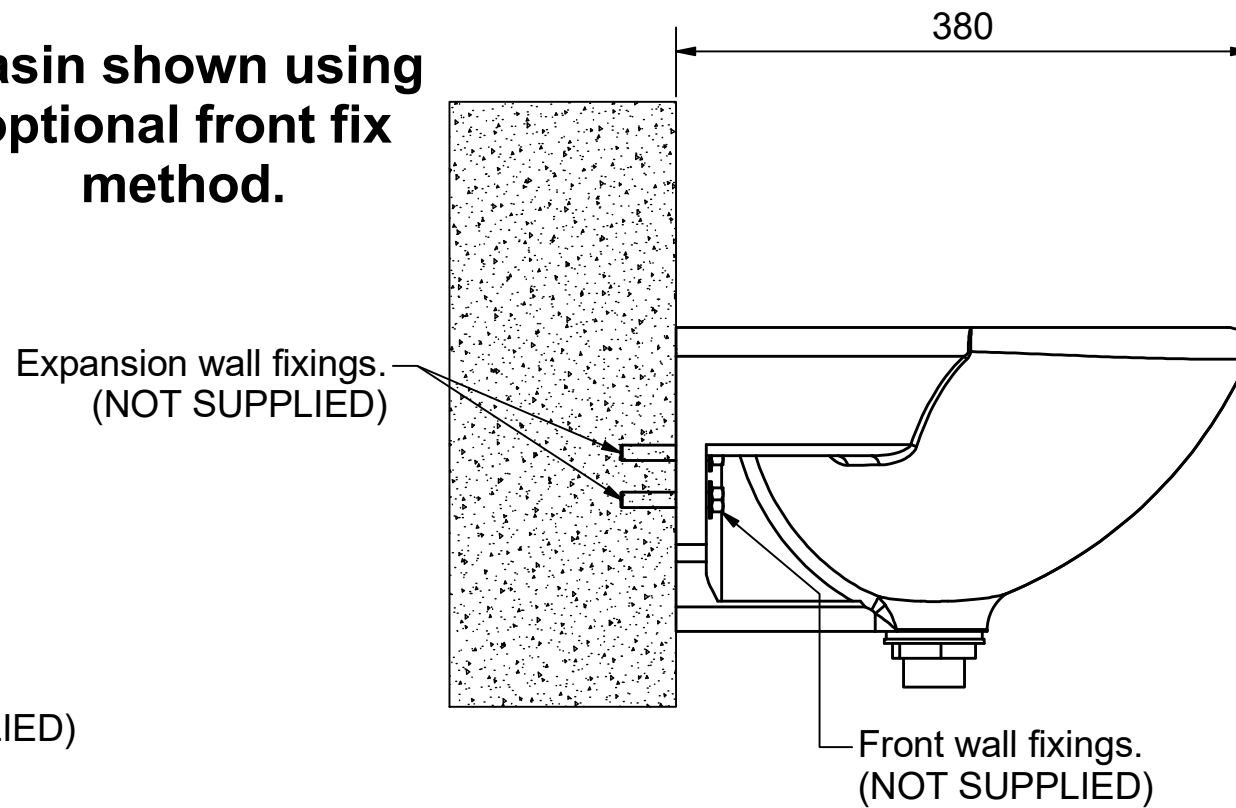
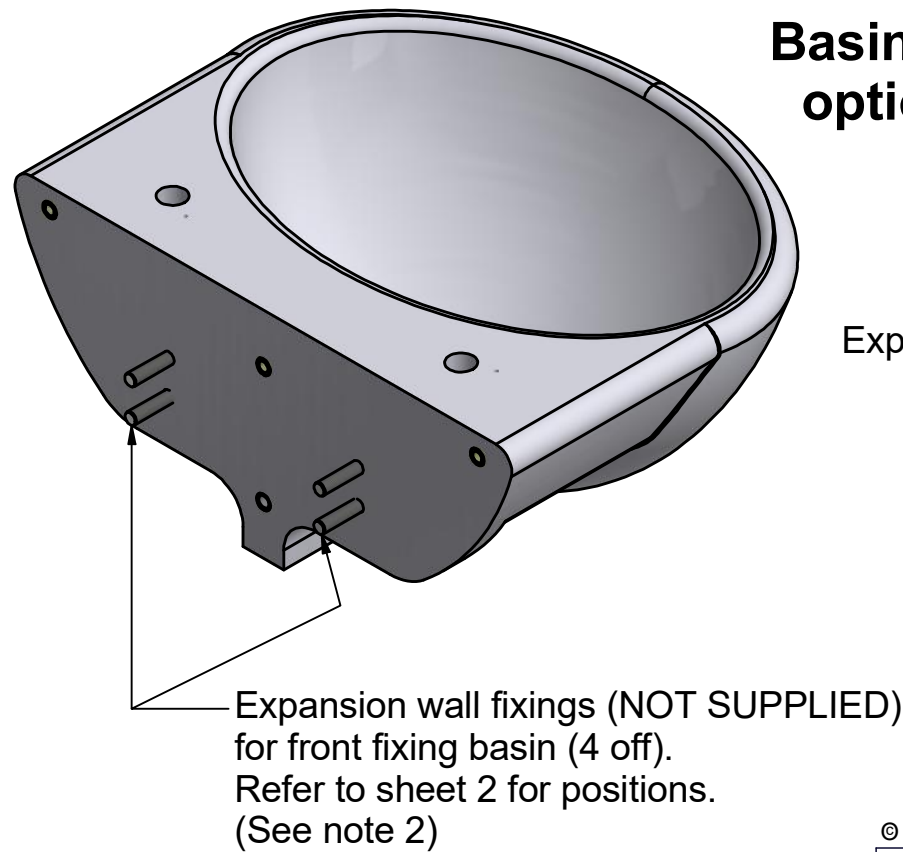
All dimensions in mm, All angles 90° (unless stated)
Scale: NTS
A3 3rd

REVISION HISTORY				
REV	DATE	DESCRIPTION	BY	CHKD
7	05/08/2019	ECN2019/0086	RD	PH

Basin shown with through wall rear fixings as standard.



Basin shown using optional front fix method.



NOTES:

1. The basin is designed for through wall rear fixing using the M10 threaded stud bar, nuts & washers provided, that are suitable for a 150mm thickness wall.
2. An alternative fixing method for front fixing the basin is available using the four (c) hole positions shown on sheet 2. The hole positions are marked on the back of the basin by dimple impressions which can be drilled through to suit the size of wall fixings preferred (Wall fixings are not provided with the basin). Additional information is shown on sheet 4.

© 2018 Copyright THIS DRAWING IS THE PROPERTY OF WALLGATE LIMITED AND IS ISSUED ON THE STRICT UNDERSTANDING THAT THE INFORMATION CONTAINED WILL NOT BE REPRODUCED, COPIED OR USED WITHOUT PRIOR AGREEMENT OF WALLGATE LTD.



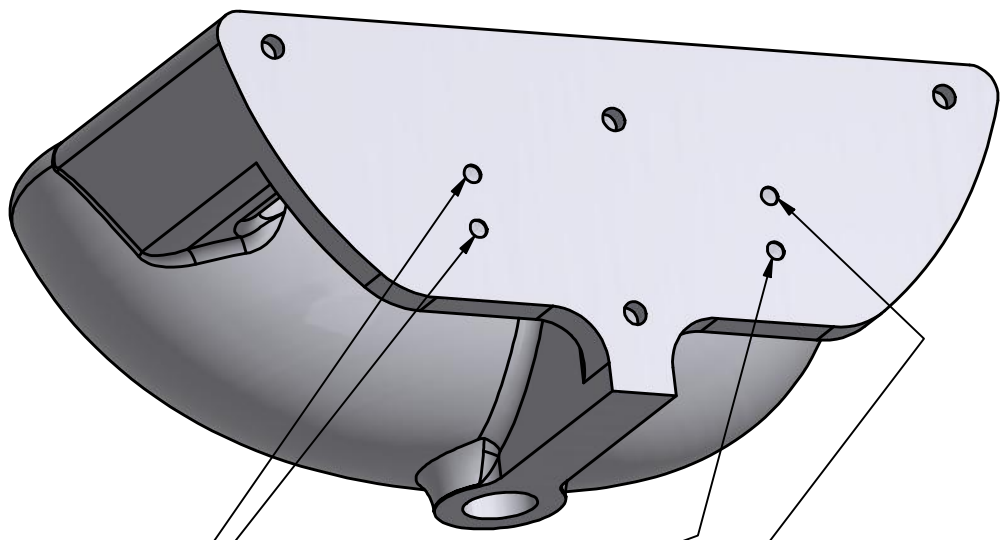
TITLE: HAND BASIN INSTALLATION OPTIONS
Drg No: SHB-05
 Model/Client/Project: SHEET 3 OF 5

MATERIAL: Polyester solid surface.
FINISH: Silk - gloss finish

Limits: (unless stated)
 ± 0.25mm (sheetmetal)
 ± 0.10mm (machined)
 ± 2.00mm (pattern)
 ± 5.00mm (moulded)

All dimensions in mm, All angles 90° (unless stated)
Scale: NTS
A3 3rd

REVISION HISTORY				
REV	DATE	DESCRIPTION	BY	CHKD
7	05/08/2019	ECN2019/0086	RD	PH



Dimples on rear face of basin indicate positions for front fixing the basin using suitable fasteners to suit the type of wall fabric.

Drill holes at each dimple location using a standard steel or wood boring bit to the size required for the wall fastener, an M6 size fastener or preferably M10 size is recommended.



Wall fasteners are shown here as an example of the type that could be used but the type required will depend on the wall fabric. It is recommended that each fastener is fitted with a plain washer to spread the load on the basin back. Washers shown here are on M10 fasteners & the washer outer diameter is 30mm. Drill a Pilot hole using a 2-3mm bit to prevent surface chipping and drill wandering. Do not use hammer drill. Drill and appropriate clearance hole for the fixing used. Use HSS multipurpose bits. Any burrs sharp edges can be removed with a fine grit sand paper



© 2018 Copyright THIS DRAWING IS THE PROPERTY OF WALLGATE LIMITED AND IS ISSUED ON THE STRICT UNDERSTANDING THAT THE INFORMATION CONTAINED WILL NOT BE REPRODUCED, COPIED OR USED WITHOUT PRIOR AGREEMENT OF WALLGATE LTD.



TITLE: Hand basin front fix details.
Drg No: SHB-05
 Model/Client/Project: Sheet 4 of 5

MATERIAL: Polyester solid surface.
FINISH: Silk - gloss finish

Limits: (unless stated)
 ± 0.25mm (sheetmetal)
 ± 0.10mm (machined)
 ± 2.00mm (pattern)
 ± 5.00mm (moulded)

All dimensions in mm, All angles 90° (unless stated)
Scale: NTS
A3 3rd

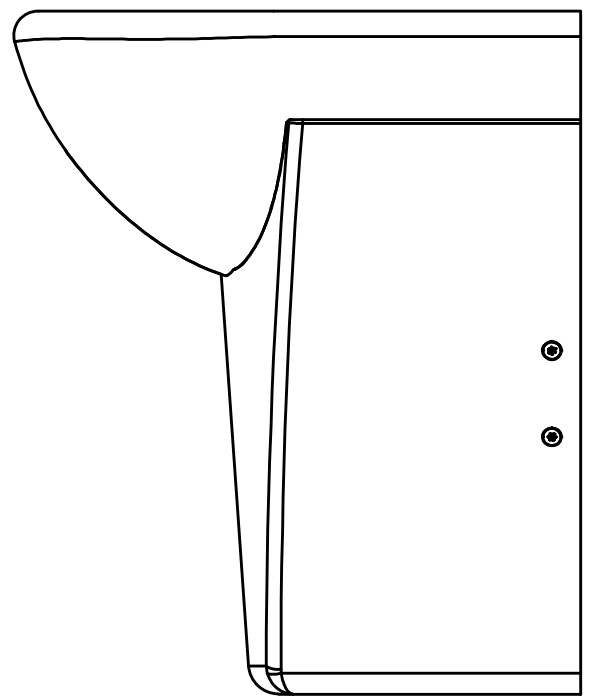
REVISION HISTORY				
REV	DATE	DESCRIPTION	BY	CHKD
7	05/08/2019	ECN2019/0086	RD	PH



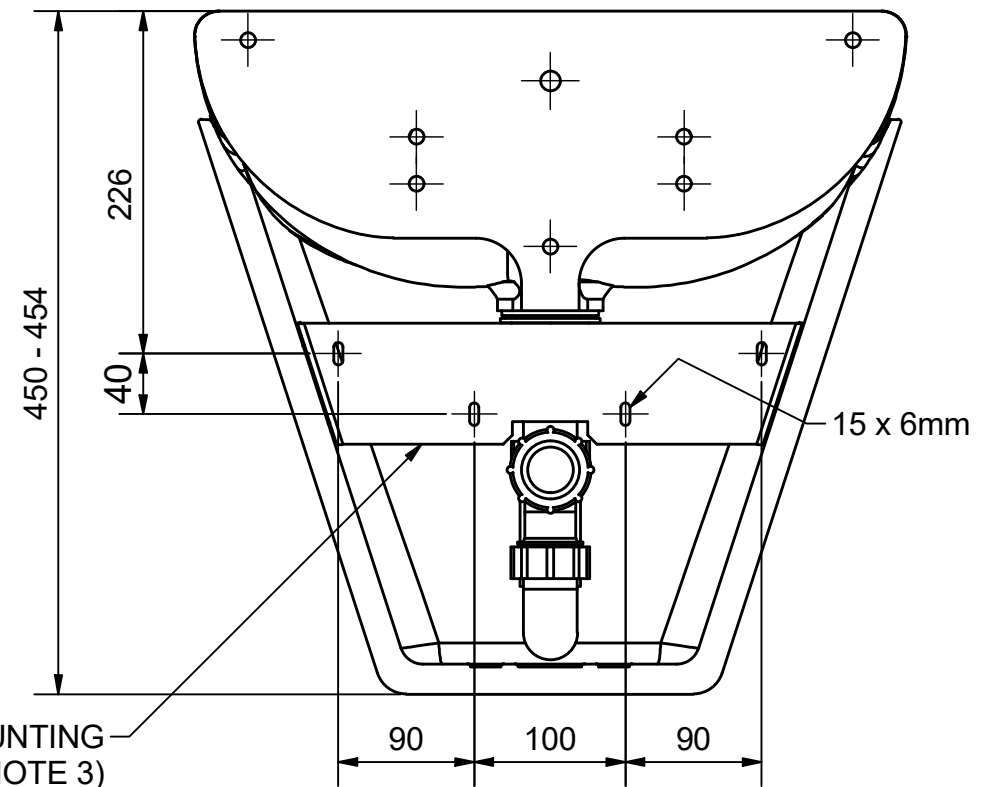
Notes

1. The basin can be supplied with the option of a shroud (SHBS02). The shroud is supplied with a wall fixing bracket and security screws to attach the shroud to the bracket. The shroud should be sealed to the wall using an MOJ approved hard set anti-pick mastic.
2. Refer to drawing SHBS02-SHB for full details of the shroud.

SHBS02 SHROUD (NOTE 1)



SHROUD WALL MOUNTING BRACKET (NOTE 3)



© 2018 Copyright THIS DRAWING IS THE PROPERTY OF WALLGATE LIMITED AND IS ISSUED ON THE STRICT UNDERSTANDING THAT THE INFORMATION CONTAINED WILL NOT BE REPRODUCED, COPIED OR USED WITHOUT PRIOR AGREEMENT OF WALLGATE LTD.



TITLE: OPTIONAL SHROUD
Drg No: SHB-05
 Model/Client/Project: SHEET 5 OF 5

MATERIAL:
FINISH:

Limits: (unless stated)
 ± 0.25mm (sheetmetal)
 ± 0.10mm (machined)
 ± 2.00mm (pattern)
 ± 5.00mm (moulded)
 All dimensions in mm,
 All angles 90° (unless stated)
Scale: NTS
A3 3rd